

N3V24M..N3V120M..N3V230M



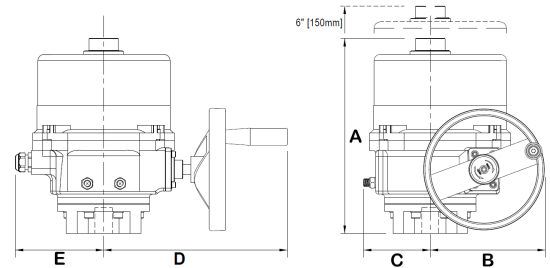
N3V24M

Non Fail Safe, Rotary Actuator
200 Nm, Modulating



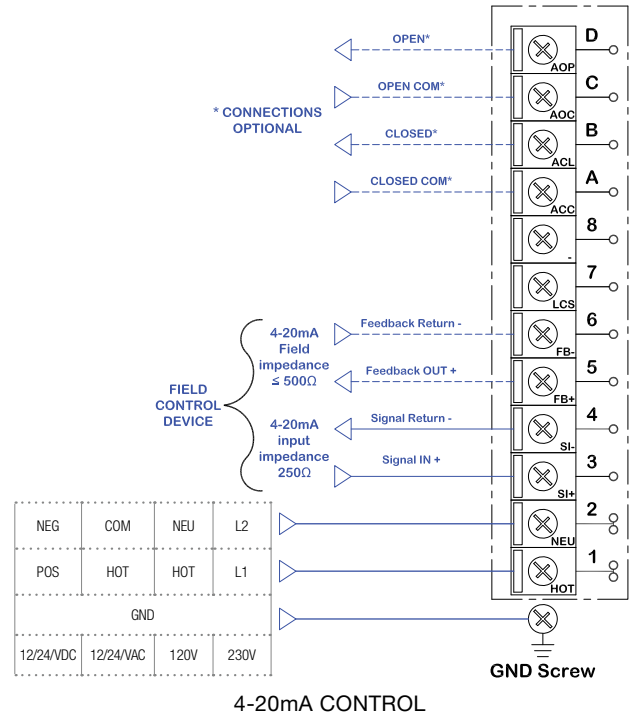
Electrical	Power supply	24VAC VDC
	Power Consumption (Start/Run/Hold)	4.2A / 3.2A / 11A
	Duty Cycle	0.75
	Motor Starts Per Hour	1200
	Motor Class	135°C / Class B
	Motor	24vdc Perm Magnet Brush 25W
	Auxiliary Switch	(2) Rated at 10A 250VAC
	Electrical Connection	Terminal Block: N3V24M Cable 3ft(1m): Cable 9ft(3m):
Control	Signal Input	Modulating (4-20mA)
	Signal Feedback	(4-20mA)
General Function	Torque	200 Nm
	Running Time	Motor: 28
	Manual Override	Hand Wheel
	Rotation Angle	90°
	Linkage	ISO5211 compliant with double square female drive
	Adjustable Mechanical Stop	Two (2) External
	Position Indicator	Raised visual indicator
	Environment	Ambient temperature
	Ambient humidity	95% r.h., non-condensing
Housing	Protection	NEMA 4X /IP67
	Material	Cast Aluminum
Agency Listings	Certification IEC/EN	CSA 267006
	Mode of Operation	
Weight	Weight approximate	24.5 lbs / 11kg

Dimensions



A	B	C	D	E
265 mm	123 mm	79 mm	240 mm	120 mm
10.45 in	4.85 in	3.11 in	9.45 in	4.73 in

Wiring Diagram



N3V24M..N3V120M..N3V230M



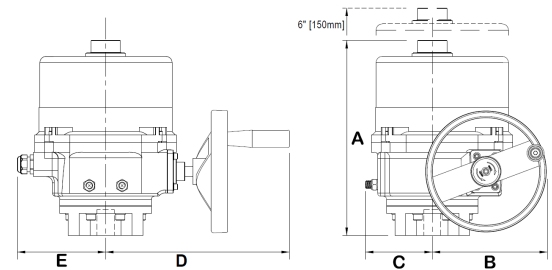
N3V120M

Non Fail Safe, Rotary Actuator
200 Nm, Modulating



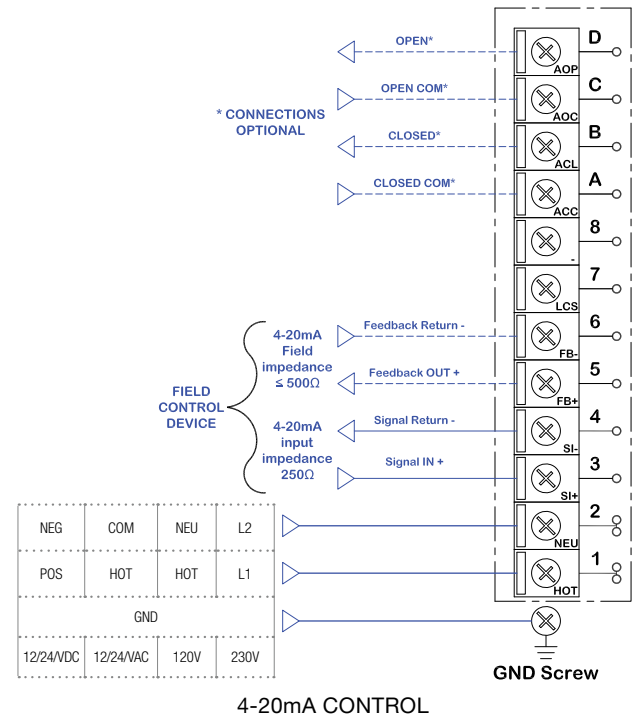
Electrical	Power supply	120VAC ±10%, 50/60Hz
	Power Consumption (Start/Run/Hold)	1.16A / 0.93A / 1.47A
	Duty Cycle	0.75
	Motor Starts Per Hour	1200
	Motor Class	135°C / Class F
	Motor	120vac Slit-Phase Cap 90W
	Auxiliary Switch	(2) Rated at 10A 250VAC
Electrical Connection	Terminal Block:	
	Cable 3ft(1m): N3V120M Cable 9ft(3m):	
Control	Signal Input	Modulating (4-20mA)
	Signal Feedback	(4-20mA)
General Function	Torque	200 Nm
	Running Time	Motor: 33 at 60Hz; 39 at 50Hz
	Manual Override	Hand Wheel
	Rotation Angle	90°
	Linkage	ISO5211 compliant with double square female drive
	Adjustable Mechanical Stop	Two (2) External
	Position Indicator	Raised visual indicator
Environment	Ambient temperature	-22°F to +158°F (-30°C...70°C)
	Ambient humidity	95% r.h., non-condensing
Housing	Protection	NEMA 4X /IP67
	Material	Cast Aluminum
Agency Listings	Certification IEC/EN	CSA 267006
Weight	Mode of Operation	
	Weight approximate	24.5 lbs / 11kg

Dimensions



A	B	C	D	E
265 mm	123 mm	79 mm	240 mm	120 mm
10.45 in	4.85 in	3.11 in	9.45 in	4.73 in

Wiring Diagram



N3V24M..N3V120M..N3V230M



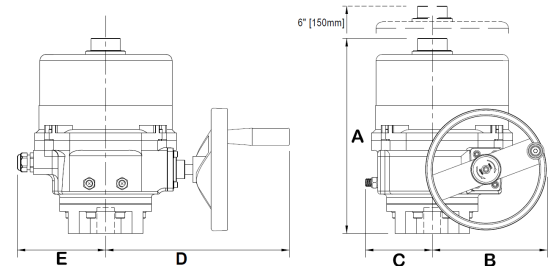
N3V230M

Non Fail Safe, Rotary Actuator
200 Nm, Modulating



Electrical	Power supply	230VAC ±10%, 50/60Hz
	Power Consumption (Start/Run/Hold)	0.54A / 0.42A / 0.66A
	Duty Cycle	0.75
	Motor Starts Per Hour	1200
	Motor Class	135°C / Class F
	Motor	120vac Slit-Phase Cap 40W
	Auxiliary Switch	(2) Rated at 10A 250VAC
	Electrical Connection	Terminal Block: N3V120
		Cable 3ft(1m):
		Cable 9ft(3m):
Control	Signal Input	Modulating (4-20mA)
	Signal Feedback	(4-20mA)
General Function	Torque	200 Nm
	Running Time	Motor: 33 at 60Hz; 39 at 50Hz
	Manual Override	Hand Wheel
	Rotation Angle	90°
	Linkage	ISO5211 compliant with double square female drive
	Adjustable Mechanical Stop	Two (2) External
	Position Indicator	Raised visual indicator
Environment	Ambient temperature	-22°F to +158°F (-30°C...70°C)
	Ambient humidity	95% r.h., non-condensing
Housing	Protection	NEMA 4X /IP67
	Material	Cast Aluminum
Agency Listings	Certification IEC/EN	CSA 267006
	Mode of Operation	
Weight	Weight approximate	24.5 lbs / 11kg

Dimensions



A	B	C	D	E
265 mm	123 mm	79 mm	240 mm	120 mm
10.45 in	4.85 in	3.11 in	9.45 in	4.73 in

Wiring Diagram

