

N5V24M..N5V120M..N5V230M



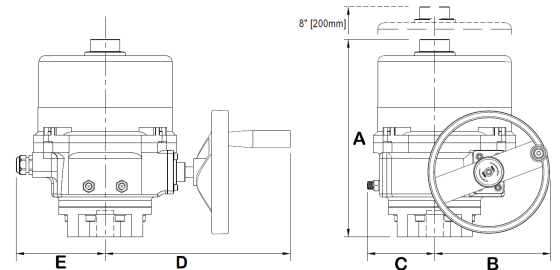
N5V24M

Non Fail Safe, Rotary Actuator
600 Nm, Modulating



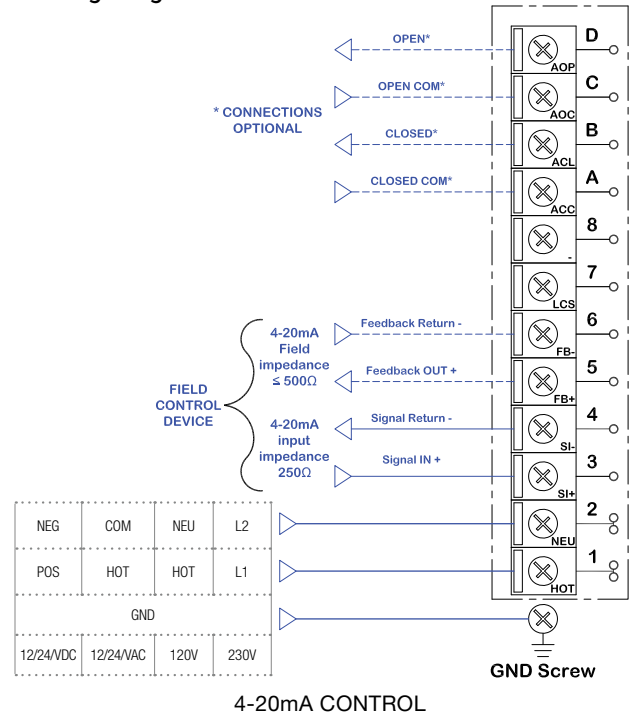
| | | |
|------------------|------------------------------------|--|
| Electrical | Power supply | 24VAC VCD |
| | Power Consumption (Start/Run/Hold) | 7.0A / 5.8A / 15A |
| | Duty Cycle | 0.75 |
| | Motor Starts Per Hour | 1200 |
| | Motor Class | 135°C / Class F |
| | Motor | 24vdc Per Magnet Brush 40W |
| | Auxiliary Switch | (2) Rated at 10A 250VAC |
| | Electrical Connection | Terminal Block: N4V120 Cable 3ft(1m): Cable 9ft(3m): |
| Control | Signal Input | Modulating (4-20mA) |
| | Signal Feedback | (4-20mA) |
| General Function | Torque | 600 Nm |
| | Running Time | Motor: 28 |
| | Manual Override | Hand Wheel |
| | Rotation Angle | 90° |
| | Linkage | ISO5211 compliant with double square female drive |
| | Adjustable Mechanical Stop | Two (2) External |
| | Position Indicator | Raised visual indicator |
| Environment | Ambient temperature | -22°F to +158°F (-30°C...70°C) |
| | Ambient humidity | 95% r.h., non-condensing |
| Housing | Protection | NEMA 4X /IP67 |
| | Material | Cast Aluminum |
| Agency Listings | Certification IEC/EN | CSA 267006 |
| | Mode of Operation | |
| Weight | Weight approximate | 49 lbs / 22kg |

Dimensions



| A | B | C | D | E |
|----------|---------|---------|---------|---------|
| 321 mm | 187 mm | 103 mm | 297 mm | 150 mm |
| 12.64 in | 7.36 in | 4.06 in | 11.7 in | 5.91 in |

Wiring Diagram



N5V24M..N5V120M..N5V230M



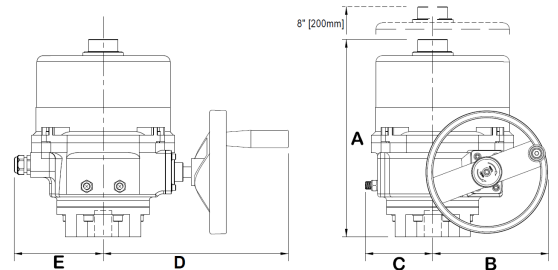
N5V120M

Non Fail Safe, Rotary Actuator
600 Nm, Modulating



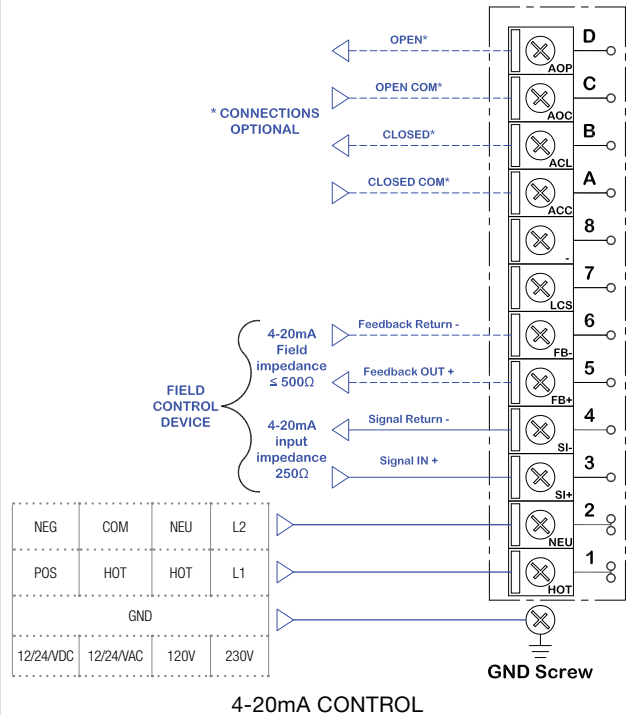
| | | |
|------------------|------------------------------------|--|
| Electrical | Power supply | 120VAC ±10%, 50/60Hz |
| | Power Consumption (Start/Run/Hold) | 2.95A / 1.8A / 3.5A |
| | Duty Cycle | 0.75 |
| | Motor Starts Per Hour | 1200 |
| | Motor Class | 135°C / Class F |
| | Motor | 120vac Slit-Phase Cap 90W |
| | Auxiliary Switch | (2) Rated at 10A 250VAC |
| | Electrical Connection | Terminal Block: N4V120 Cable 3ft(1m): Cable 9ft(3m): |
| Control | Signal Input | Modulating (4 - 20mA) |
| | Signal Feedback | (4-20mA) |
| General Function | Torque | 600 Nm |
| | Running Time | Motor: 33 at 60Hz 39 at 50Hz |
| | Manual Override | Hand Wheel |
| | Rotation Angle | 90° |
| | Linkage | ISO5211 compliant with double square female drive |
| | Adjustable Mechanical Stop | Two (2) External |
| | Position Indicator | Raised visual indicator |
| | Environment | Ambient temperature |
| Housing | Ambient humidity | 95% r.h., non-condensing |
| | Protection | NEMA 4X /IP67 |
| Agency Listings | Material | Cast Aluminum |
| | Certification IEC/EN | CSA 267006 |
| Weight | Mode of Operation | |
| | Weight approximate | 49 lbs / 22kg |

Dimensions



| A | B | C | D | E |
|----------|---------|---------|---------|---------|
| 321 mm | 187 mm | 103 mm | 297 mm | 150 mm |
| 12.64 in | 7.36 in | 4.06 in | 11.7 in | 5.91 in |

Wiring Diagram



N5V24M..N5V120M..N5V230M



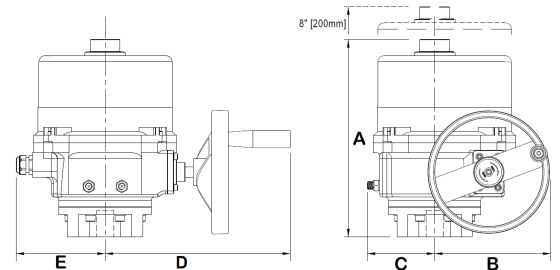
N5V230M

Non Fail Safe, Rotary Actuator
600 Nm, Modulating



| | | |
|------------------|------------------------------------|--|
| Electrical | Power supply | 230VAC ±10%, 50/60Hz |
| | Power Consumption (Start/Run/Hold) | 1.71A / 0.91A 1.9A |
| | Duty Cycle | 0.75 |
| | Motor Starts Per Hour | 1200 |
| | Motor Class | 135°C / Class F |
| | Motor | 120vac Slit-Phase Cap 90W |
| | Auxiliary Switch | (2) Rated at 10A 250VAC |
| | Electrical Connection | Terminal Block: N4V120 Cable 3ft(1m): Cable 9ft(3m): |
| Control | Signal Input | Modulating (4-20mA) |
| | Signal Feedback | (4-20mA) |
| General Function | Torque | 600 Nm |
| | Running Time | Motor: 33 at 60Hz 39 at 50Hz |
| | Manual Override | Hand Wheel |
| | Rotation Angle | 90° |
| | Linkage | ISO5211 compliant with double square female drive |
| | Adjustable Mechanical Stop | Two (2) External |
| | Position Indicator | Raised visual indicator |
| Environment | Ambient temperature | -22°F to +158°F (-30°C...70°C) |
| | Ambient humidity | 95% r.h., non-condensing |
| Housing | Protection | NEMA 4X /IP67 |
| | Material | Cast Aluminum |
| Agency Listings | Certification IEC/EN | CSA 267006 |
| | Mode of Operation | |
| Weight | Weight approximate | 49 lbs / 22kg |

Dimensions



| A | B | C | D | E |
|----------|---------|---------|---------|---------|
| 321 mm | 187 mm | 103 mm | 297 mm | 150 mm |
| 12.64 in | 7.36 in | 4.06 in | 11.7 in | 5.91 in |

Wiring Diagram

