

# NC24 Actuator Series

## On/Off Floating , Modulating



### Non-Fail -Safe

Specification		NC24F	NC24M
Control	Signal	On/Off Floating (3-Point)	Modulating 2 -10VDC
Power	Voltage AC	24 VAC 50/60 Hz ± 20%	
	Voltage DC	24 VDC ± 10%	24 VDC ± 10%
	Overload Protection	Electronic	Electronic
	Consumption	0.5 W	0.5 W
	Transformer	1 VA (Class 2)	1 VA (Class 2)
	Connection	Plenum rated cable 22 AWG: 3 ft (1 m)	
Operation	Run time (Motor)	75 Seconds	
	Manual Override	Push down handle	
	Rotation Angle	90°, tool free field adjustable mechanical stops	
	Rotation Direction	Jumper Switch CW/CCW factory set	
	Position Indicator	Visual Pointer	
	Noise	35dBA	
Housing	Protection	NEMA 2 / IP42	
	Rating	UL94-5V (B)	
Temp.	Ambient	-0°F to 122°F (-18°C to 50°C)	
	Storage	-22°F to 122°F (-30°C to 50°C)	
	Humidity	5 to 95% non-condensing	
Agency Listing		cULus UL 60730-1A/-2-14	
		CAN/CAS E60730-1:2	
		CE according to 2004/108/EC and 2006/95/EC for line voltage	

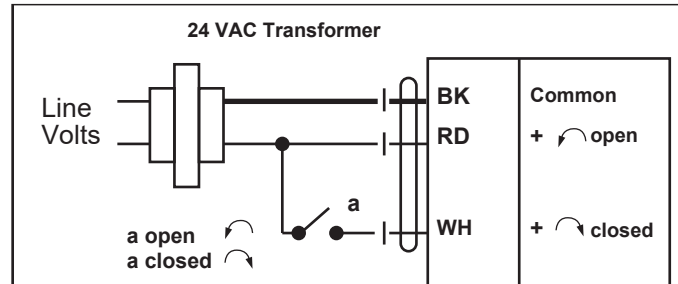
On/Off, Floating Point: **NC24F**  
 Modulating with Feedback: **NC24M**



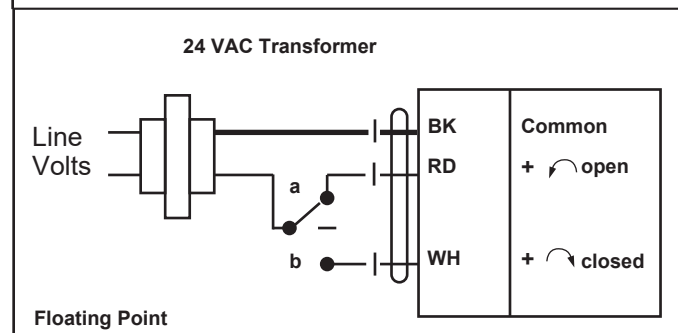
#### WARNING

Actuator must be installed by licensed or electrically trained technician. Failure to follow electrical safety precaution when working with live electrical connection could result in injury or death.

#### On/Off, Floating Wiring

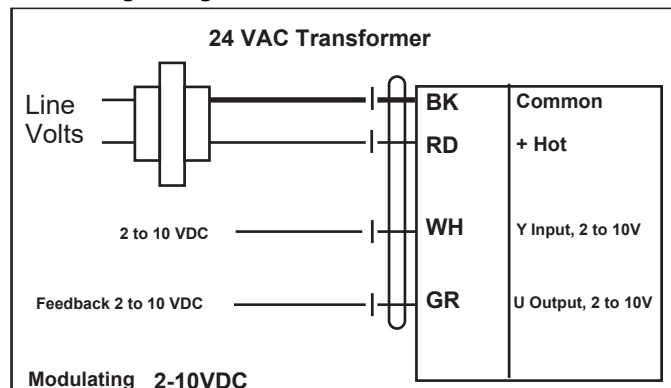


On/Off

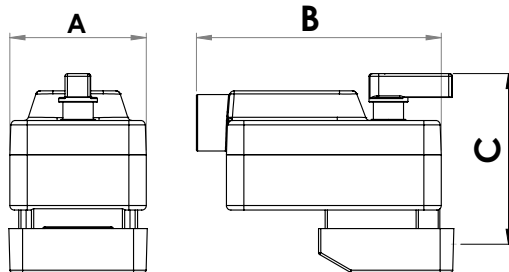


Floating Point

#### Modulating Wiring



Modulating 2-10VDC



Dimensions					
A		B		C	
inch	mm	inch	mm	inch	mm
2.35	59.69	4.45	113.00	2.99	76.00