

FC24 Actuator Series

On/Off, On/Off + Switch Modulating



Fail Safe		Auxiliary switch		
Specification		FC24	FC24-S	FC24M
Control	Signal	On/Off	On/Off + Switch	Modulating 2 -10VDC
Power	Voltage AC	24 VAC 50/60 Hz ± 20%		
	Voltage DC	24 VDC ± 10%		
	Overload Protection	Electronic		
	Consumption	1 W	1.5 W	0.5 W
	Transformer	1 VA (Class 2)	2 VA (Class 2)	1 VA (Class 2)
	Connection	Plenum rated cable 18 AWG: 3 ft (1 m)	Plenum rated cable 22 AWG: 3 ft (1 m)	
Operation	Runtime (Motor)	80 Seconds	75 Seconds	
	Runtime (CAP)	50 Seconds		
	Rotation Angle	90°, tool free field adjustable mechanical stops		
	Rotation Direction (Motor)	Jumper Switch CW/CCW, factory set		
	Rotation Direction (CAP)	Jumper Switch CW/CCW, factory set		
	Position Indicator	Visual Pointer		
	Noise Motor	35dBA		
	Noise Motor Cap	35dBA		
Housing	Protection	NEMA 2 / IP42		
	Rating	UL94-5V (B)		
Temp.	Ambient	-0°F to 122°F (-18°C to 50°C)		
	Storage	-22°F to 122°F (-30°C to 50°C)		
	Humidity	5 to 95% non-condensing		
Agency Listing		cULus UL 60730-1A/-2-14		
		CAN/CAS E60730-1:2		
		CE according to 2004/108/EC and 2006/95/EC for line voltage		

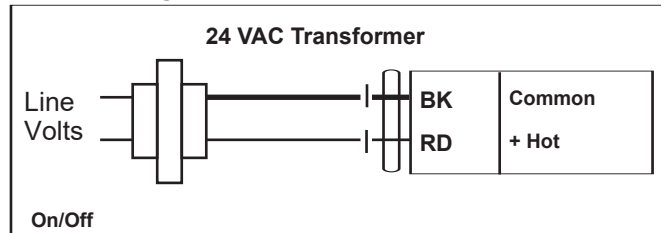


On/Off: **FC24**
 On/Off, Auxiliary Switch: **FC24-S**
 Modulating with Feedback: **FC24M**

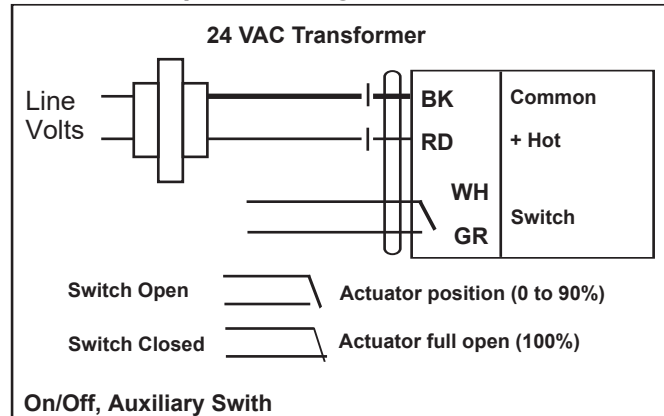
WARNING

Actuator must be installed by licensed or electrically trained technician. Failure to follow electrical safety precaution when working with live electrical connection could result in injury or death.

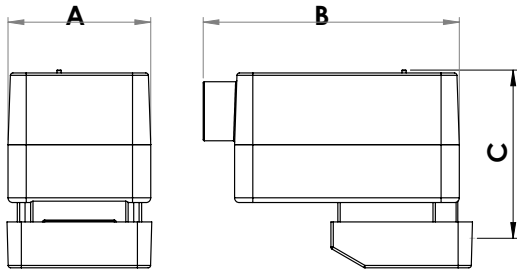
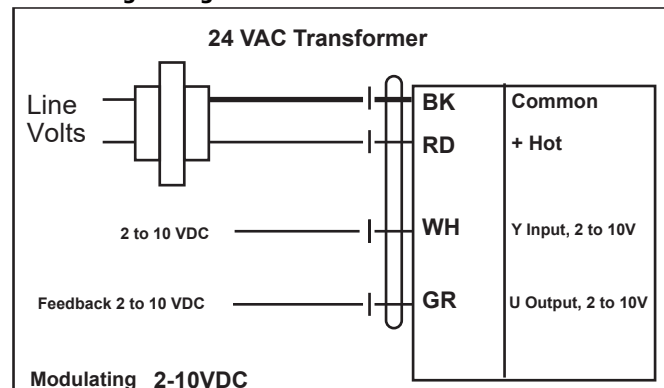
On/Off Wiring



On/Off, Auxiliary Switch Wiring



Modulating Wiring



Dimensions

A		B		C	
inch	mm	inch	mm	inch	mm
2.35	59.69	4.22	106.68	2.77	70.35