

# N3V24..N3V120..N3V230



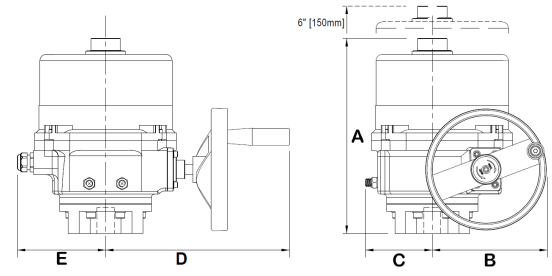
## N3V24

Non Fail Safe, Rotary Actuator  
200 Nm, On/Off



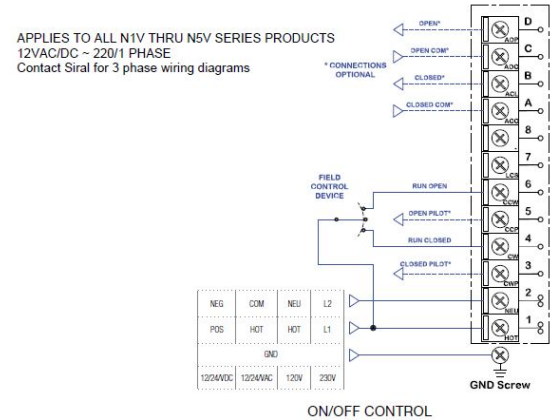
Electrical	Power supply	24VAC VDC
	Power Consumption (Start/Run/Hold)	4.2A / 3.2A / 11A
	Duty Cycle	0.75
	Motor Starts Per Hour	1200
	Motor Class	135°C / Class B
	Motor	24vdc Perm Magnet Brush 25W
	Auxiliary Switch	(2) Rated at 10A 250VAC
Electrical Connection	Terminal Block: <b>N3V24</b>	
	Cable 3ft(1m):	
	Cable 9ft(3m):	
Control	Signal Input	On/Off
	Signal Feedback	On/off
General Function	Torque	200 Nm
	Running Time	Motor: 28
	Manual Override	Hand Wheel
	Rotation Angle	90°
	Linkage	ISO5211 compliant with double square female drive
	Adjustable Mechanical Stop	Two (2) External
	Position Indicator	Raised visual indicator
Environment	Ambient temperature	-22°F to +158°F (-30°C...70°C)
	Ambient humidity	95% r.h., non-condensing
Housing	Protection	NEMA 4X /IP67
	Material	Cast Aluminum
Agency Listings	Certification IEC/EN	CSA 267006
	Mode of Operation	
Weight	Weight approximate	24.5 lbs / 11kg

### Dimensions



A	B	C	D	E
265 mm	123 mm	79 mm	240 mm	120 mm
10.45 in	4.85 in	3.11 in	9.45 in	4.73 in

### Wiring Diagram



# N3V24..N3V120..N3V230



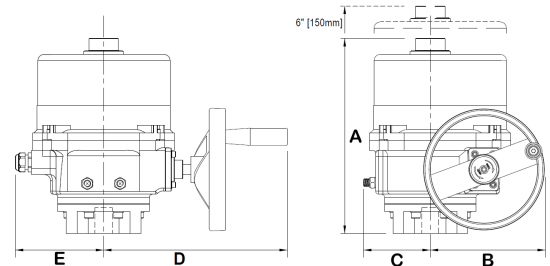
## N3V120

Non Fail Safe, Rotary Actuator  
200 Nm, On/Off



Electrical	Power supply	120VAC ±10%, 50/60Hz
	Power Consumption (Start/Run/Hold)	1.16A / 0.93A / 1.47A
	Duty Cycle	0.25
	Motor Starts Per Hour	1200
	Motor Class	135°C / Class F
	Motor	120vac Slit-Phase Cap 40W
	Auxiliary Switch	(2) Rated at 10A 250VAC
Electrical Connection	Terminal Block:	
	Cable 3ft(1m): N3V120 Cable 9ft(3m):	
Control	Signal Input	On/Off
	Signal Feedback	On/off
General Function	Torque	200 Nm
	Running Time	Motor: <b>33 at 60Hz; 39 at 50Hz</b>
	Manual Override	Hand Wheel
	Rotation Angle	90°
	Linkage	ISO5211 compliant with double square female drive
	Adjustable Mechanical Stop	Two (2) External
	Position Indicator	Raised visual indicator
Environment	Ambient temperature	-22°F to +158°F (-30°C...70°C)
	Ambient humidity	95% r.h., non-condensing
Housing	Protection	NEMA 4X /IP67
	Material	Cast Aluminum
Agency Listings	Certification IEC/EN	CSA 267006
	Mode of Operation	
Weight	Weight approximate	24.5 lbs / 11kg

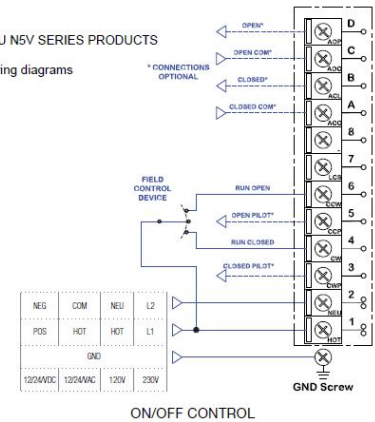
### Dimensions



A	B	C	D	E
265 mm	123 mm	79 mm	240 mm	120 mm
10.45 in	4.85 in	3.11 in	9.45 in	4.73 in

### Wiring Diagram

APPLIES TO ALL N1V THRU N5V SERIES PRODUCTS  
12VAC/DC ~ 220V 1 PHASE  
Contact Siral for 3 phase wiring diagrams



# N3V24..N3V120..N3V230



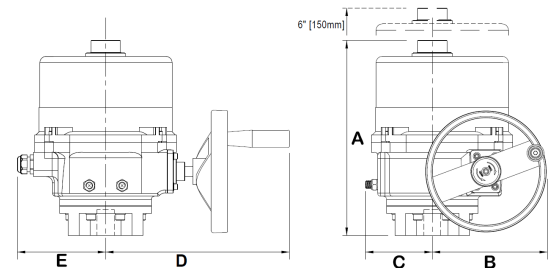
## N3V230

Non Fail Safe, Rotary Actuator  
200 Nm, On/Off



Electrical	Power supply	230VAC ±10%, 50/60Hz
	Power Consumption (Start/Run/Hold)	0.54A / 0.42A / 0.66A
	Duty Cycle	0.25
	Motor Starts Per Hour	1200
	Motor Class	135°C / Class F
	Motor	120vac Slit-Phase Cap 40W
	Auxiliary Switch	(2) Rated at 10A 250VAC
Electrical Connection	Terminal Block: N3V120	
	Cable 3ft(1m):	
	Cable 9ft(3m):	
Control	Signal Input	On/Off
	Signal Feedback	On/off
General Function	Torque	200 Nm
	Running Time	Motor: 33 at 60Hz; 39 at 50Hz
	Manual Override	Hand Wheel
	Rotation Angle	90°
	Linkage	ISO5211 compliant with double square female drive
	Adjustable Mechanical Stop	Two (2) External
	Position Indicator	Raised visual indicator
Environment	Ambient temperature	-22°F to +158°F (-30°C...70°C)
	Ambient humidity	95% r.h., non-condensing
Housing	Protection	NEMA 4X /IP67
	Material	Cast Aluminum
Agency Listings	Certification IEC/EN	CSA 267006
	Mode of Operation	
Weight	Weight approximate	24.5 lbs / 11kg

### Dimensions



A	B	C	D	E
265 mm	123 mm	79 mm	240 mm	120 mm
10.45 in	4.85 in	3.11 in	9.45 in	4.73 in

### Wiring Diagram

