

N2V24..N2V120..N2V230



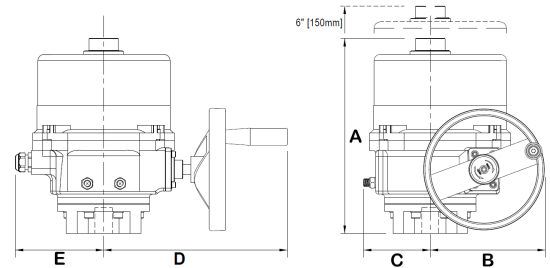
N2V24

Non Fail Safe, Rotary Actuator
100 Nm, On/Off



Electrical	Power supply	24VAC VDC
	Power Consumption (Start/Run/Hold)	4.2A / 3.2A / 11A
	Duty Cycle	0.75
	Motor Starts Per Hour	1200
	Motor Class	135°C / Class B
	Motor	24vdc Perm Magnet Brush 25W
	Auxiliary Switch	(2) Rated at 3A 250VAC
Electrical Connection	Terminal Block: N2V24	
	Cable 3ft(1m):	
	Cable 9ft(3m):	
Control	Signal Input	On/Off
	Signal Feedback	On/Off
General Function	Torque	100 Nm
	Running Time	Motor: 14
	Manual Override	Hand Wheel
	Rotation Angle	90°
	Linkage	ISO5211 compliant with double square female drive
	Adjustable Mechanical Stop	Two (2) External
	Position Indicator	Raised visual indicator
Environment	Ambient temperature	-22°F to +158°F (-30°C...70°C)
	Ambient humidity	95% r.h., non-condensing
Housing	Protection	NEMA 4X /IP67
	Material	Cast Aluminum
Agency Listings	Certification IEC/EN	CSA 267006
	Mode of Operation	
Weight	Weight approximate	24.5 lbs / 11kg

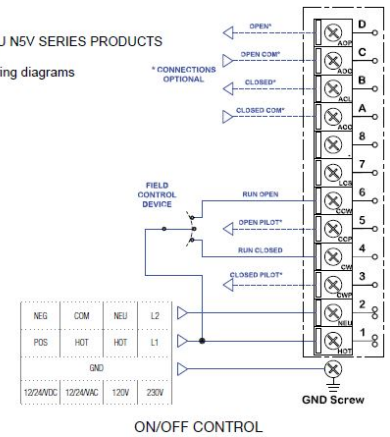
Dimensions



A	B	C	D	E
265 mm	123 mm	79 mm	240 mm	120 mm
10.45 in	4.85 in	3.11 in	9.45 in	4.73 in

Wiring Diagram

APPLIES TO ALL N1V THRU N5V SERIES PRODUCTS
12VAC/DC ~ 220/1 PHASE
Contact Siral for 3 phase wiring diagrams



N2V24..N2V120..N2V230



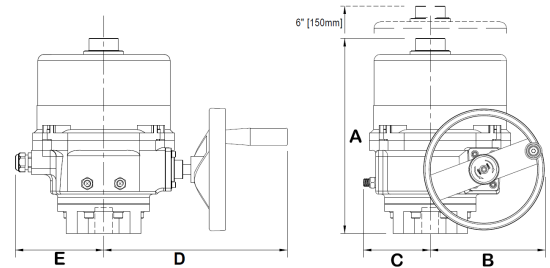
N2V120

Non Fail Safe, Rotary Actuator
100 Nm, On/Off



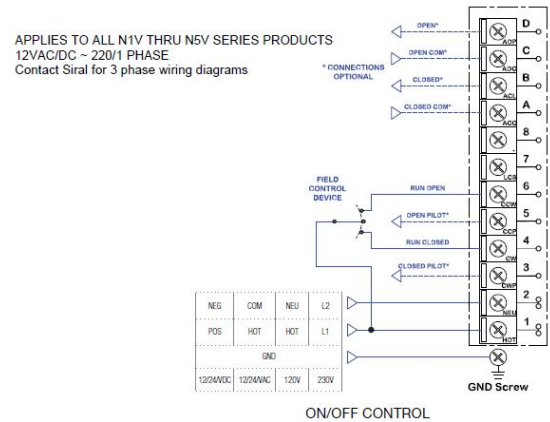
Electrical	Power supply	120VAC ±10%, 50/60Hz
	Power Consumption (Start/Run/Hold)	1.16A / 0.93A / 1.47A
	Duty Cycle	0.25
	Motor Starts Per Hour	1200
	Motor Class	135°C / Class F
	Motor	120vac Slit-Phase Cap 40W
	Auxiliary Switch	(2) Rated at 3A 250VAC
Electrical Connection	Terminal Block: N2V120	
	Cable 3ft(1m):	
	Cable 9ft(3m):	
Control	Signal Input	On/Off
	Signal Feedback	On/off
General Function	Torque	100 Nm
	Running Time	Motor: 16 at 60Hz, 19 at 50Hz
	Manual Override	Hand Wheel
	Rotation Angle	90°
	Linkage	ISO5211 compliant with double square female drive
	Adjustable Mechanical Stop	Two (2) External
	Position Indicator	Raised visual indicator
Environment	Ambient temperature	-22°F to +158°F (-30°C...70°C)
	Ambient humidity	95% r.h., non-condensing
Housing	Protection	NEMA 4X /IP67
	Material	Cast Aluminum
Agency Listings	Certification IEC/EN	CSA 267006
	Mode of Operation	
Weight	Weight approximate	24.5 lbs / 11kg

Dimensions



A	B	C	D	E
265 mm	123 mm	79 mm	240 mm	120 mm
10.45 in	4.85 in	3.11 in	9.45 in	4.73 in

Wiring Diagram



N2V24..N2V120..N2V230



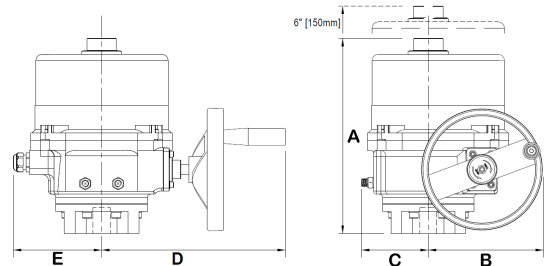
N2V230

Non Fail Safe, Rotary Actuator
100 Nm, On/Off



Electrical	Power supply	120VAC ±10%, 50/60Hz
	Power Consumption (Start/Run/Hold)	0.54A / 0.42A / 0.66A
	Duty Cycle	0.25
	Motor Starts Per Hour	1200
	Motor Class	135°C / Class F
	Motor	120vac Slit-Phase Cap 40W
	Auxiliary Switch	(2) Rated at 3A 250VAC
Electrical Connection	Terminal Block: N2V230	
	Cable 3ft(1m):	
	Cable 9ft(3m):	
Control	Signal Input	On/Off
	Signal Feedback	On/off
General Function	Torque	100 Nm
	Running Time	Motor: 16 at 60Hz, 19 at 50Hz
	Manual Override	Hand Wheel
	Rotation Angle	90°
	Linkage	ISO5211 compliant with double square female drive
	Adjustable Mechanical Stop	Two (2) External
	Position Indicator	Raised visual indicator
Environment	Ambient temperature	-22°F to +158°F (-30°C...70°C)
	Ambient humidity	95% r.h., non-condensing
Housing	Protection	NEMA 4X /IP67
	Material	Cast Aluminum
Agency Listings	Certification IEC/EN	CSA 267006
	Mode of Operation	
Weight	Weight approximate	24.5 lbs / 11kg

Dimensions



A	B	C	D	E
265 mm	123 mm	79 mm	240 mm	120 mm
10.45 in	4.85 in	3.11 in	9.45 in	4.73 in

Wiring Diagram

APPLIES TO ALL N1V THRU N5V SERIES PRODUCTS
12VAC/DC ~ 220/1 PHASE
Contact Siral for 3 phase wiring diagrams

