

N1VH24..N1VH120..N1VH230



N1VH24

Non Fail Safe, Rotary Actuator
35 Nm, On/Off

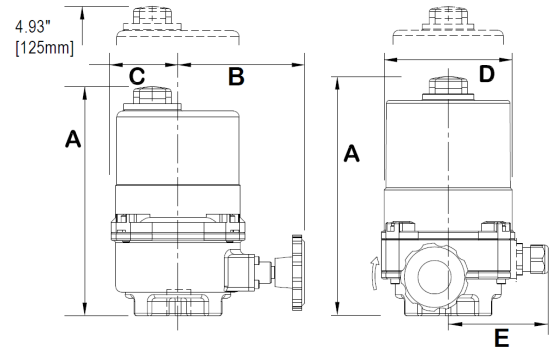


Electrical	Power supply	24VAC VDC
	Power Consumption (Start/Run/Hold)	2.1A / 1.2A / 2.3A
	Duty Cycle	0.75
	Motor Starts Per Hour	1200
	Motor Class	135°C / Class B
	Motor	24vdc Perm Magnetic Brush 6W
	Auxiliary Switch	(2) Rated at 3A 250VAC
	Electrical Connection	Terminal Block: N1VH24 Cable 3ft(1m): Cable 9ft(3m):
Control	Signal Input	On/Off
	Signal Feedback	On/off
General Function	Torque	35 Nm
	Running Time DC Seconds	Motor: 8
	Manual Override	Hand Wheel
	Rotation Angle	90°
	Linkage	ISO5211 compliant with double square female drive
	Adjustable Mechanical Stop	Two (2) External
Environment	Ambient temperature	-22°F to +158°F (-30°C...70°C)
	Ambient humidity	95% r.h., non-condensing
Housing	Protection	NEMA 4X /IP67
	Material	Cast Aluminum
Agency Listings	Certification IEC/EN	CSA 267006
	Mode of Operation	
Weight	Weight approximate	6.6 lbs / 3kg

Common Applications

The Siral N- series actuator is designed for years of service in demanding industrial environments.

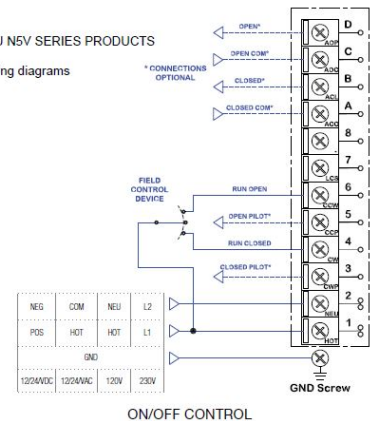
Dimensions



A	B	C	D	E
188 mm	108 mm	59 mm	107 mm	92 mm
7.4 in	4.25 in	2.312 in	4.22 in	3.6 in

Wiring Diagram

APPLIES TO ALL N1V THRU N5V SERIES PRODUCTS
12VAC/DC ~ 220/1 PHASE
Contact Siral for 3 phase wiring diagrams



N1VH24..N1VH120..N1VH230



N1VH120

Non Fail Safe, Rotary Actuator
35 Nm, On/Off

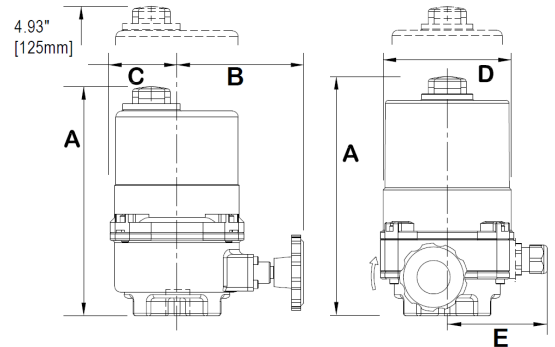


Electrical	Power supply	120VAC ±10%, 50/60Hz
	Power Consumption (Start/Run/Hold)	0.39A / 0.36A / 0.48A
	Duty Cycle	0.25
	Motor Starts Per Hour	1200
	Motor Class	135°C / Class F
	Motor	120vac Slit-Phase Cap TENV 10W
	Auxiliary Switch	(2) Rated at 3A 250VAC
	Electrical Connection	Terminal Block: N1VH120 Cable 3ft(1m): Cable 9ft(3m):
Control	Signal Input	On/Off
	Signal Feedback	On/off
General Function	Torque	35 Nm
	Running Time	Motor: 9.2 at 60Hz, 11 at 50Hz
	Manual Override	Hand Wheel
	Rotation Angle	90°
	Linkage	ISO5211 compliant with double square female drive
	Adjustable Mechanical Stop	Two (2) External
Environment	Ambient temperature	-22°F to +158°F (-30°C...70°C)
	Ambient humidity	95% r.h., non-condensing
Housing	Protection	NEMA 4X /IP67
	Material	Cast Aluminum
Agency Listings	Certification IEC/EN	CSA 267006
	Mode of Operation	
Weight	Weight approximate	6.6 lbs / 3kg

Common Applications

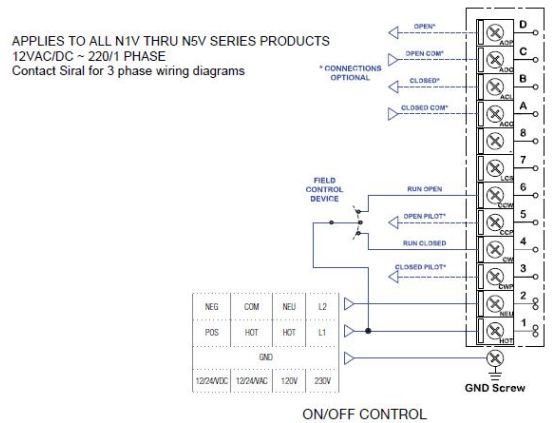
The Siral N- series actuator is designed for years of service in demanding industrial environments.

Dimensions



A	B	C	D	E
188 mm	108 mm	59 mm	107 mm	92 mm
7.4 in	4.25 in	2.312 in	4.22 in	3.6 in

Wiring Diagram



N1VH24..N1VH120..N1VH230



N1VH230

Non Fail Safe, Rotary Actuator
35 Nm, On/Off

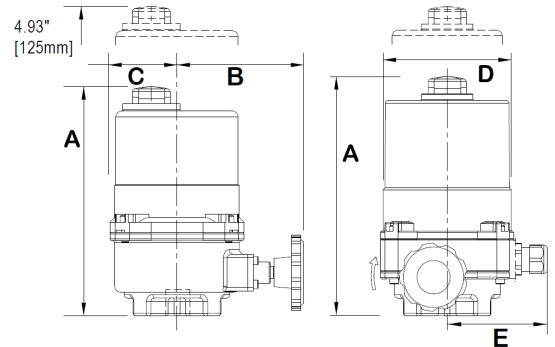


Electrical	Power supply	230VAC ±10%, 50/60Hz
	Power Consumption (Start/Run/Hold)	0.23A / 0.21A / 0.28A
	Duty Cycle	0.25
	Motor Starts Per Hour	1200
	Motor Class	135°C / Class F
	Motor	120vac Slit-Phase Cap 10W
	Auxiliary Switch	(2) Rated at 3A 250VAC
	Electrical Connection	Terminal Block: Cable 3ft(1m): N1VH120 Cable 9ft(3m):
Control	Signal Input	On/Off
	Signal Feedback	On/off
General Function	Torque	35 Nm
	Running Time	Motor: 9.2 at 60Hz, 11 at 50Hz
	Manual Override	Hand Wheel
	Rotation Angle	90°
	Linkage	ISO5211 compliant with double square female drive
	Adjustable Mechanical Stop	Two (2) External
	Position Indicator	Raised visual indicator
Environment	Ambient temperature	-22°F to +158°F (-30°C...70°C)
	Ambient humidity	95% r.h., non-condensing
Housing	Protection	NEMA 4X /IP67
	Material	Cast Aluminum
Agency Listings	Certification IEC/EN	CSA 267006
	Mode of Operation	
Weight	Weight approximate	6.6 lbs / 3kg

Common Applications

The Siral N- series actuator is designed for years of service in demanding industrial environments.

Dimensions



A	B	C	D	E
188 mm	108 mm	59 mm	107 mm	92 mm
7.4 in	4.25 in	2.312 in	4.22 in	3.6 in

Wiring Diagram

