

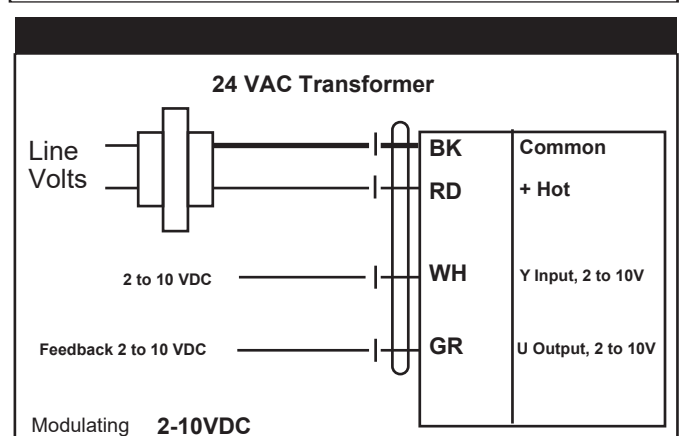
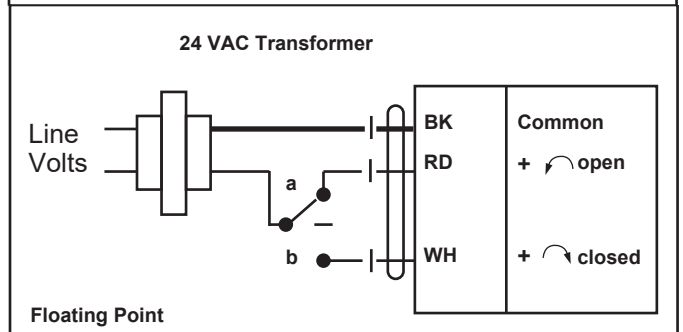
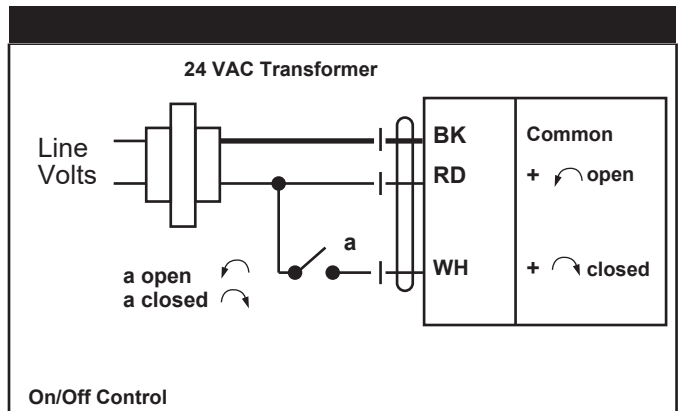


Specification		NB24F	NB24M	NBLVF
Control	Signal	On/Off, Floating (3-Point)	Modulating 2 - 10VDC	On/Off, Floating (3-Point)
Power	Voltage AC	24 VAC 50/60 Hz \pm 20%		110 - 230 VAC \pm 10%
	Voltage DC	24 VDC \pm 10%		
	Overload Protection	Electronic		
	Consumption	0.5 W	0.5 W	
	Transformer	1 VA (Class 2)	1 VA (Class 2)	2 VA
	Connection	Plenum rated cable 22 AWG: 3 ft (1 m)		Plenum rated cable 16 AWG: 3 ft (1 m)
Operation	Run time (Motor)	75 Seconds		
	Manual Override	With actuator body		
	Rotation Angle	90°, tool free field adjustable mechanical stops		
	Rotation Direction	Jumper Switch CW/CCW		
	Position Indicator	Visual Pointer		
	Noise	35dBA		
	Housing	Protection	NEMA 1 / IP40	
Rating		UL94-5V (B)		
Temp.	Ambient	-0°F to 122°F (-18°C to 50°C)		
	Storage	-22°F to 122°F (-30°C to 50°C)		
	Humidity	5 to 95% non-condensing		
Agency Listing	cULus UL 60730-1A/-2-14			
	CAN/CAS E60730-1:2			
	CE according to 2004/108/EC and 2006/95/EC for line voltage			



24V
Dp/V
24V
E &

tE
USE
CODE
of 2004/108/EC
of 2006/95/EC
of 2006/95/EC



Dimensions

7 K	u A	7 K	u A	7 K	u A
--------	--------	--------	--------	--------	--------